

Due to the mounting magnets, the retrofit kit can be mounted on any ferromagnetic surface.



Safety notes:

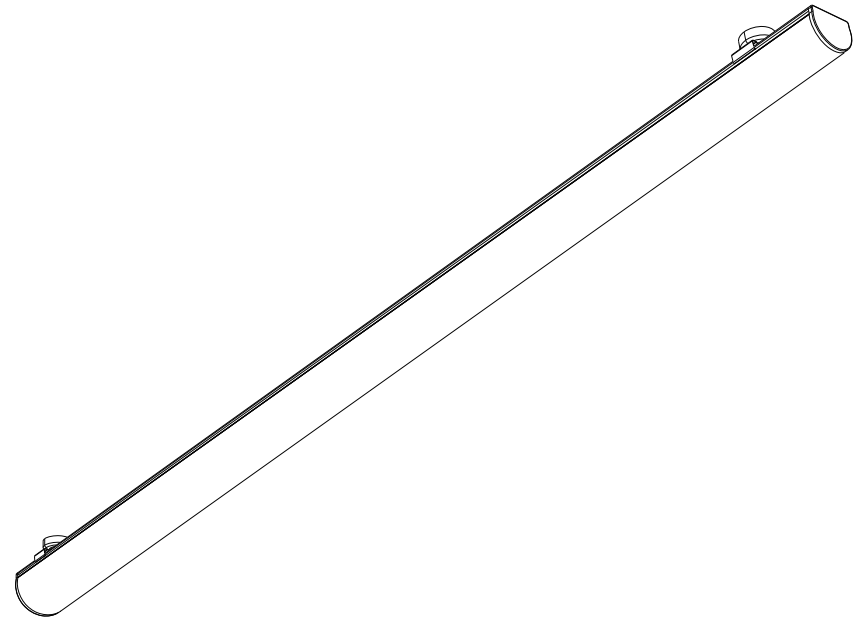
The installation and connection of the luminaire must be done when switched off and by qualified people. Make sure no voltage while installation.

Maintenance

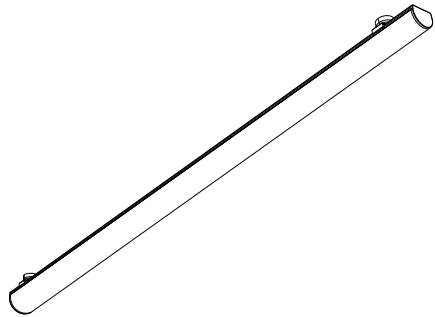
- To avoid injuries, disconnect power to the light and allow the unit to cool down before performing maintenance.
- Perform visual, mechanical and electrical inspections on a regular basis. We recommend routine checks to be made on an annual basis. Frequency of use and environment should determine this
- The Covers should be cleaned periodically as needed to ensure continued photometric performance. Clean the Cover with a damp, non-abrasive, lintfree cloth. If not sufficient, use mild soap or a liquid cleaner. Do not use an abrasive, strong alkaline or acid cleaner as damage may occur.
- Inspect the topside on the luminaire to ensure that it is free of any obstructions or contamination (i.e. excessive dust build-up). Clean with a non-abrasive cloth if needed.



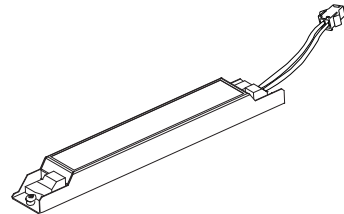
This product contains a light source of energy efficiency class D.



Products



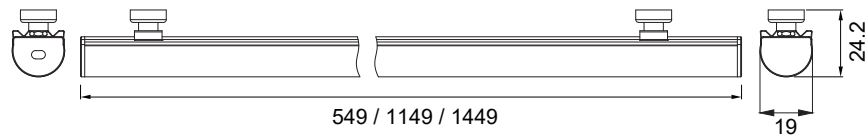
Optional



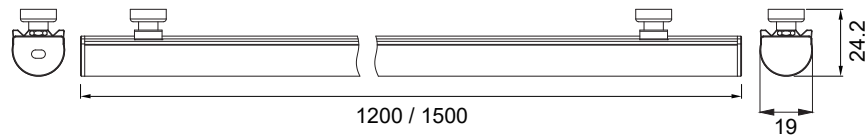
Dimensions

[mm]

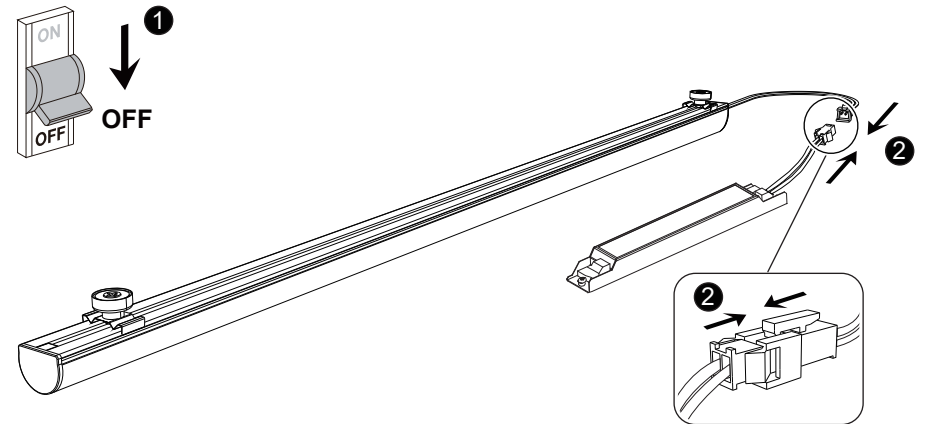
T5



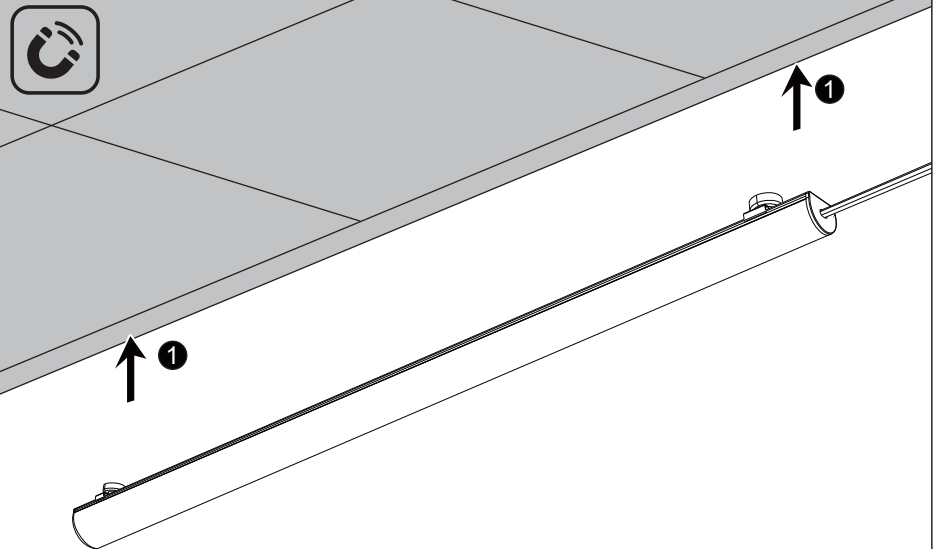
T8



1



2-1



Due to the mounting magnets, the retrofit kit can be mounted on any ferromagnetic surface.